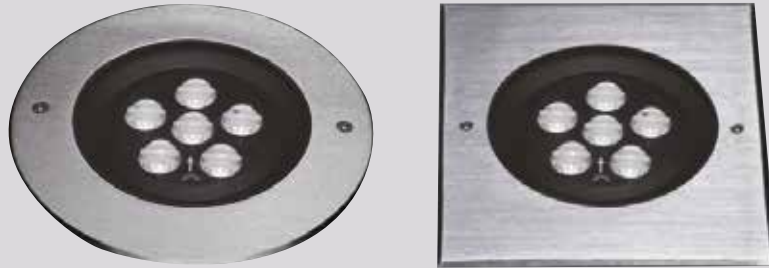
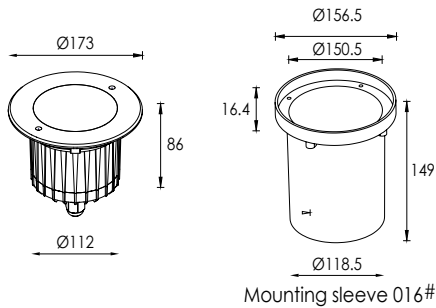


# Inground Light Asymmetrical Power LED TRUAX



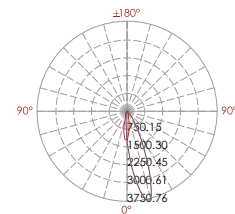
Hard chromeplated Stainless steel SUS 316L  
12# Die-casting grey powder coated aluminum.  
T=60-80µm Adhesion of ISO class 1/ASTM class 4B



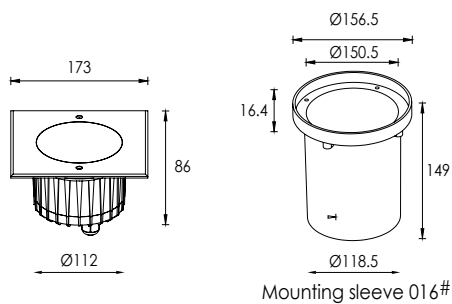
## 334 148

LED Power	Colour Temp	Luminous
24V - 13,5W	2000K	944 lm
120/240V - 11,8W	3000K	709 lm
	6000K	

## LIGHT DISTRIBUTION



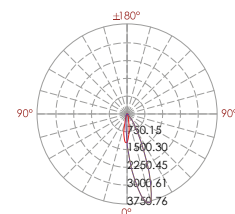
45°  
35°



## 334 149

LED Power	Colour Temp	Luminous
24V - 13,5W	2000K	944 lm
120/240V - 11,8W	3000K	709 lm
	6000K	

## LIGHT DISTRIBUTION



45°  
35°